



SECTION - H - INDEX

PAGE NUMBER

RED OAK STAIR PARTS

| | |
|---|-----|
| NEWELS | H-2 |
| BALUSTERS | H-2 |
| NEWEL AND BALUSTER DRAWINGS | H-3 |
| RAIL AND FITTING DRAWINGS | H-4 |
| COLONIAL RAIL / PLOWED RAIL | H-5 |
| HANDRAIL AND WALLRAIL | H-5 |
| PLOWED SHOE RAIL | H-5 |
| RAIL FITTINGS | H-5 |
| RAIL FITTINGS | H-6 |
| RAIL FITTINGS DRAWINGS | H-7 |
| HARDWARE, STEPS, AND ACCESSORIES DRAWINGS | H-8 |
| BALUSTER AND NEWEL HARDWARE | H-9 |
| ROSETTES | H-9 |
| STARTING STEPS | H-9 |
| FALSE TREADS & RISERS | H-9 |
| STAIR BRACKETS | H-9 |
| MOULDING | H-9 |

PAINT GRADE STAIR PARTS

| | |
|----------------------------------|------|
| NEWELS | H-10 |
| RAILS | H-10 |
| ROSETTES | H-10 |
| BALUSTERS | H-10 |
| PAINT GRADE STAIR PARTS DRAWINGS | H-11 |

IRON STAIR PARTS

| | |
|--------------------------|------|
| BALUSTERS | H-12 |
| BALUSTER ACCESSORIES | H-12 |
| IRON STAIR PART DRAWINGS | H-13 |

| | |
|-----------------------------|------|
| RED OAK TREADS AND RISERS | H-14 |
| RED OAK RETRO TREADS | H-14 |
| WHITE OAK TREADS AND RISERS | H-15 |
| PINE TREADS AND RISERS | H-16 |
| TREAD DRAWINGS | H-17 |
| OPEN FOR NOTES | H-18 |



Creative Stair Parts Brochure



Young Manufacturing red and white oak treads



Page:H-2
5/6/19

Red Oak Stair Parts

By Southwest Mouldings

Oak Newels

(for post to post SW-6010 or SW-6010-P rail systems)

| | | | |
|---------|-----------------------------|-----|----------|
| SW-4040 | 3" x 48" Starting Newel | ea. | \$54.30 |
| SW-4042 | 3" x 54" Starting Newel | ea. | \$65.10 |
| SW-4045 | 3" x 62" Landing Newel | ea. | \$73.30 |
| SW-4055 | 3" x 72" Intermediate Newel | ea. | \$100.00 |

Oak Newels

(for over the post SW-6010 or SW-6010-P rail systems)

| | | | |
|---------|-------------------------------|------------------|-------------|
| SW-4010 | 3" x 43" Starting Newel | ea. | \$53.10 |
| SW-4093 | 3" X 48" Volute/Turnout Newel | ea. | \$65.60 |
| SW-4015 | 3" x 62" Landing Newel | ea. | \$76.20 |
| SW-4017 | 3" x 72" Landing Newel | (Discontinued) | ea. \$90.00 |

Oak Box Newels

| | | | |
|-------------|--|-----|----------|
| SW-4075 | 3 1/2" x 63 3/4" Landing Newel | ea. | \$122.60 |
| SW-4075SL | 4-1/2" x 22-1/8" Sleeve for 4075 Newel | ea. | \$75.00 |
| SW-4091 | 5 1/2" x 55" Plain Newel | ea. | \$155.30 |
| SW-4091-F | 5 1/2" x 55" Fluted Newel | ea. | \$175.60 |
| SW-4091-XLF | 6 1/4" x 55" Fluted Newel | ea. | \$203.40 |

Oak Balusters

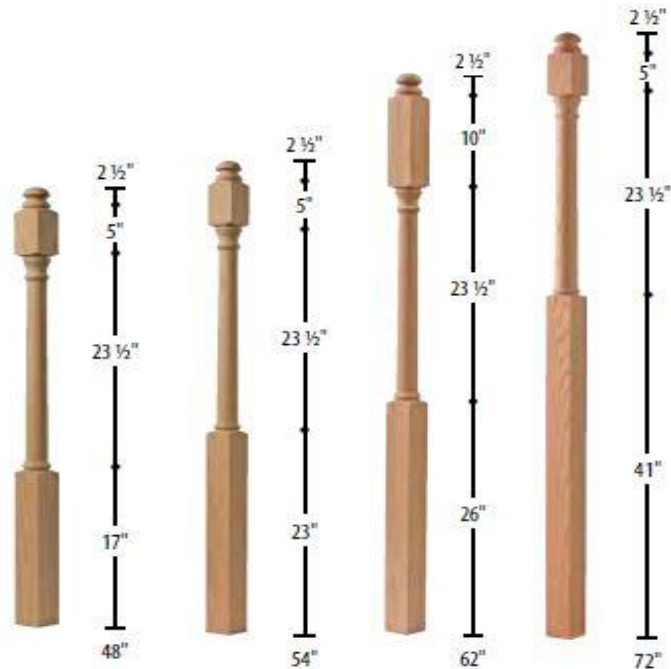
(for SW-6010 or SW-6010-P rail systems)

| | | | | |
|---------|----------------------------|------------------|-----|---------|
| SW-5015 | 1 1/4" x 31" Colonial | (Discontinued) | ea. | \$7.90 |
| | 1 1/4" x 34" Same | | ea. | \$8.40 |
| | 1 1/4" x 36" " | | ea. | \$8.80 |
| | 1 1/4" x 39" " | | ea. | \$9.80 |
| | 1 1/4" x 41" " | | ea. | \$10.30 |
| SW-5067 | 1 1/4" x 31" Turned Center | (Discontinued) | ea. | \$8.50 |
| | 1 1/4" x 34" Same | | ea. | \$8.90 |
| | 1 1/4" x 36" " | | ea. | \$9.40 |
| | 1 1/4" x 39" " | | ea. | \$9.30 |
| | 1 1/4" x 41" " | | ea. | \$10.10 |

PRICE SUBJECT TO CHANGE WITHOUT NOTICE

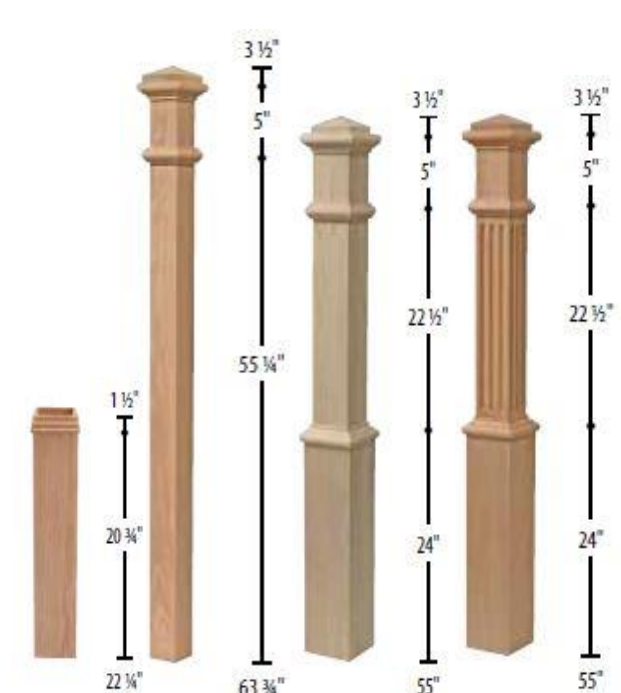


POST TO POST NEWELS



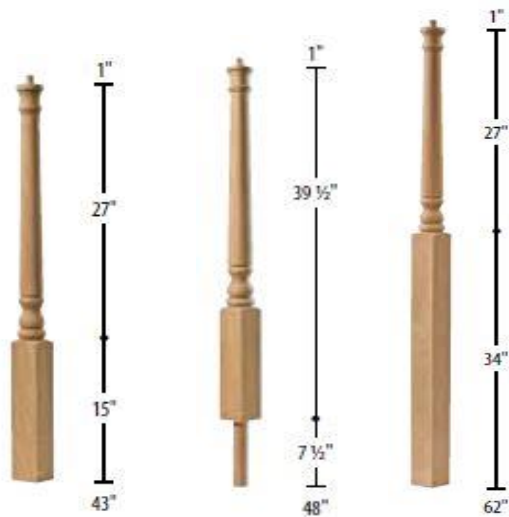
SW-4004 Oak 3" x 48" Starting Newel
 SW-4042 Oak 3" x 54" Starting Newel
 SW-4045 Oak 3" x 62" Landing Newel
 SW-4055 Oak 3" x 72" Landing Newel

BOX NEWELS



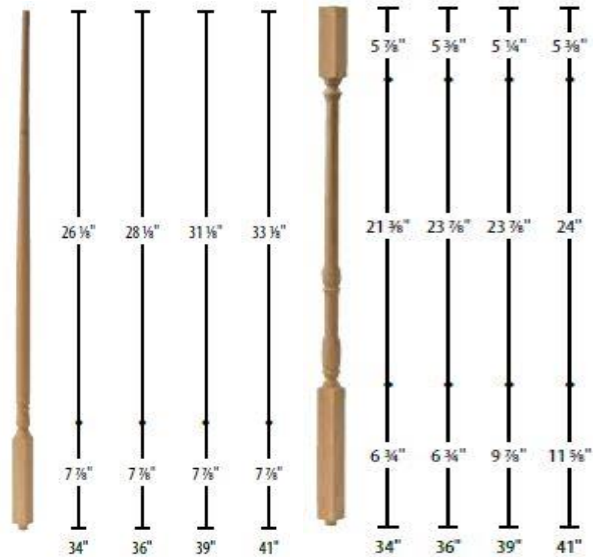
SW-4075SL 22 1/4"
 SW-4075 63 3/4"
 SW-4091 55"
 SW-4091F 5-1/2" & SW-4091XLF 6-1/4"
 SW-4091F 5-1/2" & SW-4091XLF 6-1/4"

OVER THE POST NEWEL



SW-4010 Oak 3" x 43" Starting Newel
 SW-4093 Oak 3" x 48" Volute Newel
 SW-4015 3" x 62" Landing Newel

BALUSTERS

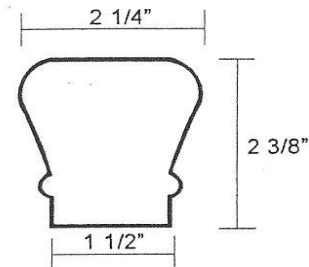


SW-5015 Oak

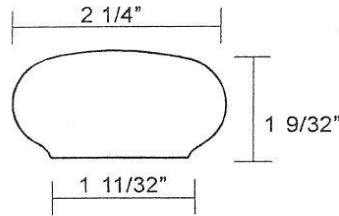
SW-5067 Oak



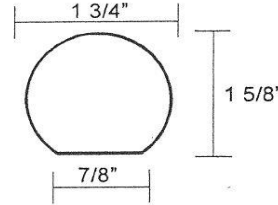
RAILS



SW-6010 Oak
Available
1-1/4" Plowed

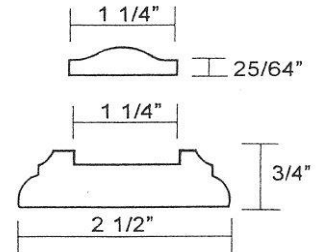


SW-6042 Oak
Wall Rail



SW-6040 Oak
Wall Rail

SW-6050 Oak Fillet



SW-6045 Oak
Shoe Rail

STARTING FITTINGS



Starting Easing

SW-7010



Starting Easing Return End

SW-7015



Over Easing Return End

SW-7016



Opening Cap

SW-7019



Left Hand Volute

SW-7030



Right Hand Volute

SW-7035



5" Left Hand
Turnout

SW-7040



5" Right Hand
Turnout

SW-7045



Red Oak Stair Parts
By Southwest Mouldings

Oak Rail Stock

| | | | | |
|------------|---|-----|------|----------|
| SW-6010 | TRADITIONAL RAIL with Solid TOP (Top ply is solid in 10' & 12' lengths; one (1) FINGERJOINT in 14' & 16' lengths) | 10' | ea. | \$82.50 |
| | | 12' | ea. | \$98.90 |
| | | 14' | ea. | \$115.40 |
| | | 16' | ea. | \$131.90 |
| SW-6010-P | PLOWED Traditional RAIL with Solid Top with FILLET (Top ply is solid in 10' & 12' lengths; one (1) FINGERJOINT in 14' & 16' lengths) | 10' | ea. | \$103.80 |
| | | 12' | ea. | \$125.00 |
| | | 14' | ea. | \$145.30 |
| | | 16' | ea. | \$166.00 |
| SW-6010-B | Traditional Bending Rail (Random Length Only) | | lft. | \$14.00 |
| SW-6010-BM | Bend Rail Mould for Traditional Rail (Mixed Wood) | | lft. | \$1.30 |
| SW -6042 | Wall Rail 2 1/4" x 19/32" (FINGERJOINT every 4' all lengths) | 10' | ea. | \$33.20 |
| | | 12' | ea. | \$39.90 |
| | | 14' | ea. | \$46.50 |
| | | 16' | ea. | \$53.10 |
| SW -6040 | Wall Rail 1 3/4" x 1 5/8" (FINGERJOINT every 4' all lengths) | 10' | ea. | \$35.90 |
| | | 12' | ea. | \$43.00 |
| | | 14' | ea. | \$50.20 |
| | | 16' | ea. | \$57.40 |
| SW -6045 | Plowed Shoe Rail with FILLET (FINGERJOINT every 4' all lengths) | 10' | ea. | \$38.90 |
| | | 12' | ea. | \$46.70 |
| | | 14' | ea. | \$54.50 |
| | | 16' | ea. | \$62.30 |
| SW -6050 | Traditional Fillet (Random Length Only) | | lft. | \$0.80 |

Oak Rail Starting Fittings (for SW-6010 or SW-6010-P Rail)

| | | | |
|---------|--------------------------|-----|---------|
| SW-7010 | Starting Easing with CAP | ea. | \$21.00 |
| SW-7015 | Starting Easing | ea. | \$19.10 |
| SW-7016 | Over Easing | ea. | \$18.90 |
| SW-7019 | Opening Cap | ea. | \$10.80 |
| SW-7030 | Left Hand Volute | ea. | \$53.30 |
| SW-7035 | Right Hand Volute | ea. | \$53.30 |
| SW-7040 | Left Hand Turnout | ea. | \$33.50 |
| SW-7045 | Right Hand Turnout | ea. | \$33.50 |

PRICE SUBJECT TO CHANGE WITHOUT NOTICE



Red Oak Stair Parts
By Southwest Mouldings

Oak Rail Fittings (for SW-6010 or SW-6010-P Rail)

Up Easings, Caps, Quarterturns

| | | | | |
|---------|-----------------|--|-----|---------|
| SW-7012 | Up Easing | | ea. | \$13.20 |
| SW-7013 | Over Easing | | ea. | \$13.10 |
| SW-7020 | Tandem Cap | | ea. | \$16.00 |
| SW-7021 | Quarterturn Cap | | ea. | \$18.60 |
| SW-7011 | Quarterturn | | ea. | \$16.10 |

Goosneck Fittings

| | | | | | |
|---------|------------------------------|---------|------------------|-----|---------|
| SW-7080 | Left Hand (with Cap) | 1 Riser | (Discontinued) | ea. | \$32.50 |
| SW-7085 | Right Hand (with Cap) | 1 Riser | (Discontinued) | ea. | \$32.50 |
| SW-7090 | Left Hand | 1 Riser | (Discontinued) | ea. | \$38.80 |
| SW-7088 | Straight (with tandem Cap) | 2 Riser | | ea. | \$40.50 |
| SW-7097 | Straight (with Cap) | 2 Riser | | ea. | \$34.30 |
| SW-7060 | Left Hand (with Cap) | 2 Riser | | ea. | \$54.40 |
| SW-7065 | Right Hand (with Cap) | 2 Riser | | ea. | \$54.40 |
| SW-7081 | Left Hand (with Cap) | 2 Riser | | ea. | \$42.70 |
| SW-7086 | Right Hand (with Cap) | 2 Riser | | ea. | \$42.70 |
| SW-7099 | Straight | 2 Riser | | ea. | \$30.50 |

PRICE SUBJECT TO CHANGE WITHOUT NOTICE



UP EASINGS, CAPS, QUARTERTURNS



GOOSENECK FITTINGS





ROSETTES AND HARDWARE



SW-7017
Round Rosette



SW-7037
Oval Rosette



SW-3000 Oak
1" Rail Plug



SW-3001
Rail Bolt



SW-3004
Rail Bolt Wrench



SW-3003
Dowel Screw



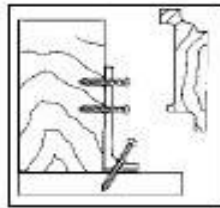
SW-3008 & SW-3006
Rail & Dowel Screw Driver



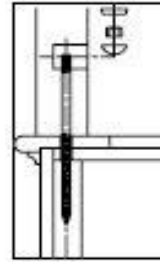
SW-3002
Heavy Duty
Rail Bracket



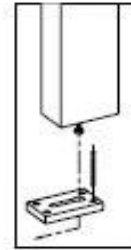
3004
NEWEL MOUNTING KIT



SW-LBR-01 & SW-LBR-03
L-Bracket Newel Fastener
For 3" & 3-1/2" Newel



SW-Stite
Sure Tite Fastener



SW-KNFAST
Keylock Fastener

TREADS, RISERS, BRACKETS, STEPS, AND MOULDING



SW-8071 Tread
Cap With Mitered Return



SW-8072 Tread
False End non Mitered



SW-8076
Riser Cap
5-1/2" x 8"



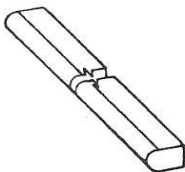
SW-7029
Scroll Bracket



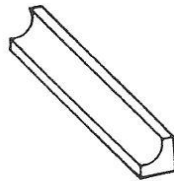
SW-7028
Plain Bracket



SW-8010-2
False Starting Step
Reversible



SW-8080
TREAD NOSING



SW-8095
COVE



SW-8010 STARTING STEP
BULL NOSED ONE END



SW-8015 STARTING STEP
BULL NOSED TWO ENDS



Red Oak Stair Parts

By Southwest Mouldings

Rail / Baluster Accessories

| | | | | |
|-------------|-------------------------|-------------------|-----|---------|
| SW-3000 | 1" Oak Rail Plug | | ea. | \$0.30 |
| SW-3001 | Rail Bolt | | ea. | \$0.60 |
| SW-3003 | Dowel Screw | (5/16" x 2 1/2") | ea. | \$0.30 |
| SW-3004 | Rail Bolt Wrench | | ea. | \$16.10 |
| SW-3006 | Dowel Screw Driver | | ea. | \$17.80 |
| SW-3008 | Rail Bolt Driver | | ea. | \$19.20 |
| SW-3002HSN | Heavy Duty Rail Bracket | Satin Nickel | ea. | \$6.00 |
| SW-3002HORB | Heavy Duty Rail Bracket | Oil Rubbed Bronze | ea. | \$6.50 |

Oak Newel Fastener Hardware

| | | | | |
|-----------|---------------------------|------------------|-----|---------|
| 3004 | Newel Mounting Kit | | ea. | \$17.70 |
| SW-STITE | Sure TITE Newel Fastener | | ea. | \$11.90 |
| SW-KNFAST | Keylock Newel Fastener | | ea. | \$18.20 |
| SW-LBR-01 | L-Bracket Newel Fastener | For 3" Newel | ea. | \$21.50 |
| SW-LBR-03 | L-Bracket Newel Fastener | For 3 1/2" Newel | ea. | \$21.50 |
| SW-LBROAK | 30" Newel Bracket Molding | | ea. | \$12.60 |

Oak Starting Steps

| | | | | |
|--------------|--------------------------------|----------------|-----|----------|
| SW-8010 | 48" Bull Nosed One End | (Reversible) | ea. | \$185.30 |
| | 60" Bull Nosed One End | (Reversible) | ea. | \$229.60 |
| SW-8015 | 42" to 48" Bull Nosed Two Ends | (Adjustable) | ea. | \$254.80 |
| | 48" to 54" Bull Nosed Two Ends | (Adjustable) | ea. | \$271.00 |
| SW -8010-C&S | Oak Cove & Shoe Set | | set | \$27.40 |
| SW -8015-C&S | Oak Cove & Shoe Set | | set | \$54.70 |

Oak False Tread & Riser Ends

| | | | | |
|-----------|--|--|-----|---------|
| SW-8010-2 | False End Starting Step W/Cove & Shoe | | ea. | \$77.30 |
| SW-8071L | 1/2" x 5 1/2" x 12 5/8" Left Hand Tread End | | ea. | \$12.10 |
| SW-8071R | 1/2" x 5 1/2" x 12 1/2" Right Hand Tread End | | ea. | \$12.10 |
| SW-8072 | 1/2" x 5 1/2" x 12 5/8" Wall Side Tread End | | ea. | \$6.50 |
| SW-8076 | 1/2" x 5 1/2" x 8" False Riser End | | ea. | \$3.10 |

Oak Stair Brackets

| | | | | |
|---------|---------------------------------------|--|-----|--------|
| SW-7028 | 5/16" x 8" x 11 1/2" Plain SOLID OAK | | ea. | \$4.90 |
| SW-7029 | 5/16" x 8" x 11 1/2" Scroll SOLID OAK | | ea. | \$4.70 |

Oak Mouldings

| | | | | |
|---------|-------------------------------|--|------|--------|
| SW-8080 | 1 1/4" x 1 1/32" Tread Nosing | | lft. | \$1.60 |
| SW-8095 | 1/2" x 3/4" Cove | | lft. | \$1.00 |
| S-8422 | 1/2" x 3/4" Shoe | | lft. | \$1.10 |

Oak Rosettes

| | | | | |
|---------|------------------|--|-----|--------|
| SW-7017 | 4 1/2" Round | | ea. | \$5.00 |
| SW-7037 | 4" x 5 1/2" Oval | | ea. | \$4.90 |

PRICE SUBJECT TO CHANGE WITHOUT NOTICE



Paint Grade Stair Parts
By Southwest Mouldings

Newels

(For Post to Post for SW-H6010 Rail System)

Newels below are Hemlock Fir

| | | | | |
|----------|--|--|-----|---------|
| SW-H4004 | 3 1/4" x 48" Starting Newel | | ea. | \$56.80 |
| SW-H4040 | 3 1/4" x 48" Starting Newel with Turned Center | | ea. | \$59.80 |
| SW-H4005 | 3 1/4" x 60" Landing Newel | | ea. | \$67.20 |
| SW-H4046 | 3 1/4" x 60" Landing Newel with Turned Center | | ea. | \$69.40 |

BOX Newels

| | | | | |
|----------|---|--|-----|----------|
| SW-P4091 | 5-1/2" X 55-3/4" Poplar Plain Box Newel | | ea. | \$136.90 |
|----------|---|--|-----|----------|

Rail Stock

Rails Below are Hemlock Fir

| | | | | |
|----------|-----------------|-----|-----|---------|
| SW-H6010 | 2 1/4" x 2 3/8" | 12' | ea. | \$46.70 |
| | | 14' | ea. | \$54.50 |
| | | 16' | ea. | \$62.30 |
| SW-H6040 | 1 3/4" x 1 5/8" | 12' | ea. | \$17.70 |
| | | 14' | ea. | \$20.70 |
| | | 16' | ea. | \$23.60 |

Oval Wall Rosette

| | | | | |
|----------|--------------------------------------|--|-----|--------|
| SW-H7037 | 4" x 5-1/2" Oval Rosette Hemlock Fir | | ea. | \$3.20 |
|----------|--------------------------------------|--|-----|--------|

Primed Stair Parts

Primed Balusters

(for SW-6010 or SW-6010-P Rail)

| | | | | | |
|-----------|--------------|---------------|----------------|-----|--------|
| SW-PR5015 | 1 1/4" x 31" | Colonial | (Discontinued) | ea. | \$3.90 |
| | 1 1/4" x 34" | Same | | ea. | \$4.60 |
| | 1 1/4" x 36" | " | | ea. | \$4.90 |
| | 1 1/4" x 39" | " | | ea. | \$5.30 |
| | 1 1/4" x 41" | " | | ea. | \$5.60 |
| SW-PR5067 | 1 1/4" x 34" | Turned Center | | ea. | \$4.60 |
| | 1 1/4" x 36" | Same | | ea. | \$4.90 |
| | 1 1/4" x 39" | " | | ea. | \$5.40 |
| | 1 1/4" x 41" | " | | ea. | \$5.60 |
| SW-PR5060 | 1 1/4" x 41" | S4S | | ea. | \$5.30 |

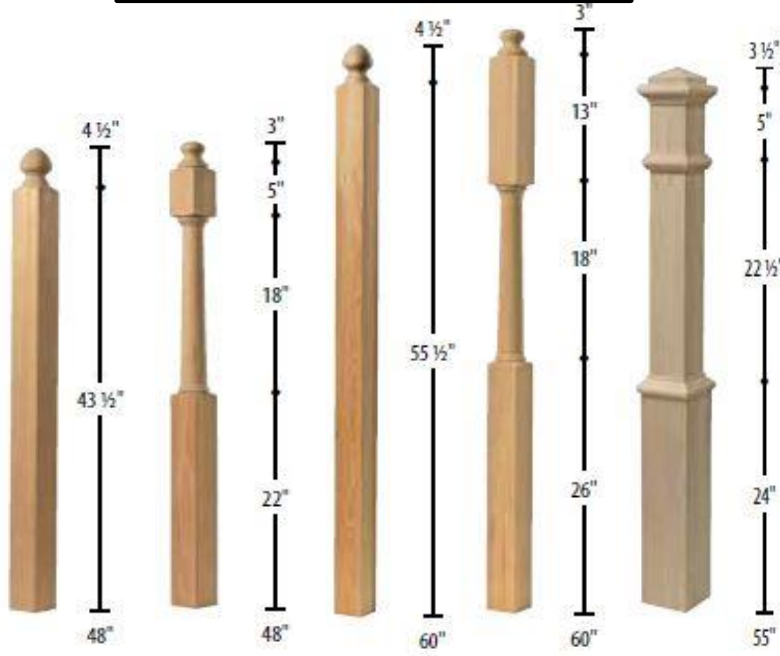
Note: (1) Type of wood used in Paint grade stair parts is MILL OPTION.

PRICE SUBJECT TO CHANGE WITHOUT NOTICE

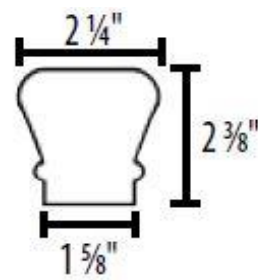


NEWELS

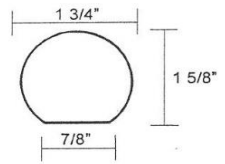
RAILS



SW-H4004 HEMLOCK 3-1/4" STARTING NEWEL 48"
 SW-H4040 HEMLOCK 3-1/4" STARTING NEWEL 48"
 SW-H4005 HEMLOCK 3-1/4" LANDING NEWEL 60"
 SW-H4046 HEMLOCK 3-1/4" LANDING NEWEL 60"
 SW-4091 POPLAR BOX NEWEL 55"

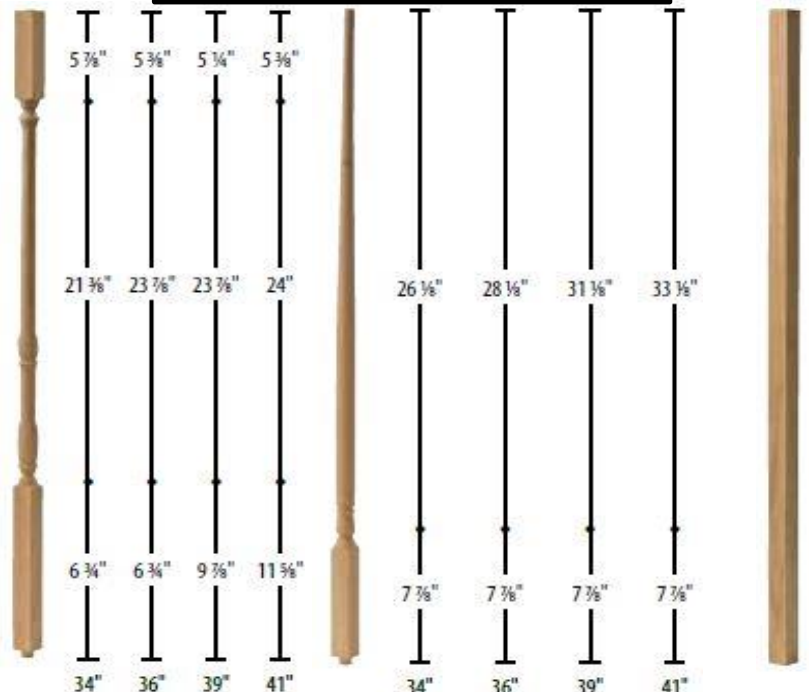


SW-H6010



SW-H6040

BALUSTERS



SW-PR5067 34" 36" 39" 41"
 SW-PR5015 34" 36" 39" 41"
 SW-PR5060 34" 36" 39" 41"

ROSETTES



SW-H7037
OVAL ROSETTE



Iron Stair Parts
By Southwest Mouldings

Iron Balusters

| | | | | | |
|--------|------------|---------------|-----------------------|-----|---------|
| S-M658 | 1/2" x 44" | Single Twist | Lite Iron Satin Black | ea. | \$4.70 |
| S-M533 | 1/2" x 44" | Double Twist | Same | ea. | \$4.80 |
| S-M482 | 1/2" x 44" | Single Basket | Lite Iron Satin Black | ea. | \$8.00 |
| S-M481 | 1/2" x 44" | Double Basket | " | ea. | \$10.60 |
| S-M701 | 1/2" x 44" | Plain | " | ea. | \$4.20 |
| S-M452 | 1/2" x 44" | Scroll | Satin Black | ea. | \$18.70 |

NOTE : Lite Iron Balusters are Hollow except for the Basket area and are easy to cut.
The structural integrity is equal to a Solid Baluster.

Accessories for Forged Balusters

| | | | |
|----------|-----------------------------------|-----|----------|
| S-06 | Flat Shoe with Set Screw | ea. | \$1.40 |
| SM-798 | Adjustable Knuckle with Set Screw | ea. | \$2.50 |
| S-02 | Rake Shoe with Set Screw | ea. | \$1.60 |
| S-EPOXY | Adhesive | ea. | \$17.90 |
| S-GUN | Manual Dispenser | ea. | \$129.40 |
| S-NOZZLE | Mixing Nozzle | ea. | \$4.40 |



IRON BALUSTERS



SM-658
SATIN BLACK
1/2" X 44"
SINGLE TWIST



SM-533
SATIN BLACK
1/2" X 44"
DOUBLE TWIST



SM-482
SATIN BLACK
1/2" X 44"
SINGLE BASKET



SM-481
SATIN BLACK
1/2" X 44"
DOUBLE BASKET



SM-701
SATIN BLACK
1/2" X 44"
PLAIN



SM-452
SATIN BLACK
1/2" X 44"
SCROLL

IRON ACCESSORIES



SM-06
SATIN BLACK
BALUSTER FLAT SHOE



SM-02
SATIN BLACK
BALUSTER RAKE SHOE



SM-798
SATIN BLACK
ADJUSTABLE KNUCKLE
WITH SET SCREW



Red Oak Stair Treads & Risers
By Young Manufacturing

8070 Plain Tread Red Oak

| | | | | |
|-----|--|-------------------|-----|---------|
| 36" | | 1 1/32" x 11 1/2" | ea. | \$27.20 |
| 42" | | 1 1/32" x 11 1/2" | ea. | \$32.30 |
| 48" | | 1 1/32" x 11 1/2" | ea. | \$37.60 |
| 54" | | 1 1/32" x 11 1/2" | ea. | \$44.20 |
| 60" | | 1 1/32" x 11 1/2" | ea. | \$49.00 |
| 72" | | 1 1/32" x 11 1/2" | ea. | \$58.40 |

8070MR Single Return Tread Red Oak

| | | | | |
|-----|---|-------------------|-----|---------|
| 42" | | 1 1/32" x 11 1/2" | ea. | \$38.70 |
| 48" | Retrun treads width is the overall size including the return | 1 1/32" x 11 1/2" | ea. | \$44.00 |
| 54" | | 1 1/32" x 11 1/2" | ea. | \$50.60 |
| 60" | | 1 1/32" x 11 1/2" | ea. | \$55.40 |
| 72" | | 1 1/32" x 11 1/2" | ea. | \$67.80 |

8075 Riser Red Oak

| | | | | |
|-----|--|---------------|-----|---------|
| 42" | | 3/4" x 7 1/2" | ea. | \$17.60 |
| 48" | | 3/4" x 7 1/2" | ea. | \$20.50 |
| 60" | | 3/4" x 7 1/2" | ea. | \$26.50 |

8090 Landing Tread Red Oak

3 1/2" Lft. \$4.10

8090-5 Landing Tread Red Oak

5 1/4" Lft. \$5.90

8080-13 Tread Return Nosing 1-1/16" X 1-1/4" X 13"

ea. \$2.00

RETROTREADS PLAIN

| | | | | |
|-----|--|----------------|-----|---------|
| 42" | | 5/8" x 11 1/2" | ea. | \$34.20 |
| 48" | | 5/8" x 11 1/2" | ea. | \$39.90 |

8080 Reversible Return Retronosing 1" x 1-7/8" x 14-3/4"

ea. \$4.70

MISCELLANEOUS OAK TREAD MACHINING

Contact Barnett for pricing on double return treads

To CUT DOWN a Tread or Riser Length ADD \$10.00

PRICE SUBJECT TO CHANGE WITHOUT NOTICE



White Oak Stair Treads & Risers
By Young Manufacturing

8070 Plain Tread White Oak

| | | | |
|-----|-------------------|-----|---------|
| 42" | 1 1/32" x 11 1/2" | ea. | \$44.00 |
| 48" | 1 1/32" x 11 1/2" | ea. | \$50.40 |
| 54" | 1 1/32" x 11 1/2" | ea. | \$59.40 |
| 60" | 1 1/32" x 11 1/2" | ea. | \$65.80 |
| 72" | 1 1/32" x 11 1/2" | ea. | \$78.60 |

8070MR Single Return Tread White Oak

| | | | |
|-----|-------------------|-----|---------|
| 42" | 1 1/32" x 11 1/2" | ea. | \$51.00 |
| 48" | 1 1/32" x 11 1/2" | ea. | \$57.40 |
| 54" | 1 1/32" x 11 1/2" | ea. | \$66.40 |
| 60" | 1 1/32" x 11 1/2" | ea. | \$72.80 |
| 72" | 1 1/32" x 11 1/2" | ea. | \$85.60 |

Retrun treads width is the overall size including the return

8075 Riser White Oak

| | | | |
|-----|---------------|-----|---------|
| 42" | 3/4" x 7 1/2" | ea. | \$23.80 |
| 48" | 3/4" x 7 1/2" | ea. | \$27.20 |
| 60" | 3/4" x 7 1/2" | ea. | \$35.40 |

8090-5 Landing Tread White Oak

| | | |
|--------|------|--------|
| 5 1/4" | Lft. | \$7.80 |
|--------|------|--------|

8080-13 Tread Return Nosing 1-1/16" X 1-1/4" X 13"

| | |
|-----|--------|
| ea. | \$2.30 |
|-----|--------|



**EDGE GLUED SOUTHERN PINE
TREADS AND RISERS**
Manufactured By Barnett Millworks Inc.

Stair Treads Plain

| | | | <i>C & BETTER</i> | <i>CARPET</i> |
|-----|--------------|-----|-----------------------|---------------|
| 42" | 1" x 11 1/2" | ea. | \$22.00 | \$12.00 |
| 48" | 1" x 11 1/2" | ea. | \$25.00 | \$13.00 |
| 60" | 1" x 11 1/2" | ea. | \$36.00 | \$16.00 |

Stair Treads Single Return

| | | | |
|-----|--------------|-----|---------|
| 42" | 1" x 11 1/2" | ea. | \$44.00 |
| 48" | 1" x 11 1/2" | ea. | \$47.00 |
| 60" | 1" x 11 1/2" | ea. | \$58.00 |

Stair Risers

| | | | <i>C & BETTER</i> | <i>CARPET</i> |
|-----|---------------|-----|-----------------------|---------------|
| 42" | 3/4" x 7 1/2" | ea. | \$11.00 | \$7.00 |
| 48" | 3/4" x 7 1/2" | ea. | \$12.00 | \$8.00 |
| 60" | 3/4" x 7 1/2" | ea. | \$15.00 | \$10.00 |

Pine Landing Tread 3/4" x 1 1/32" x 5 1/2" (Plowed for 3/4" Flooring) lft. \$5.00

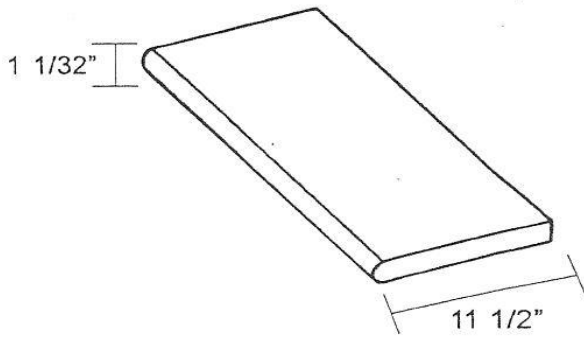
Pine Tread Nosing 1 1/4" x 1 1/32" Tread Nosing lft. \$2.00
Pine Tread Nosing Applied to One End of Tread ea. \$22.00

Pine Hand Rail

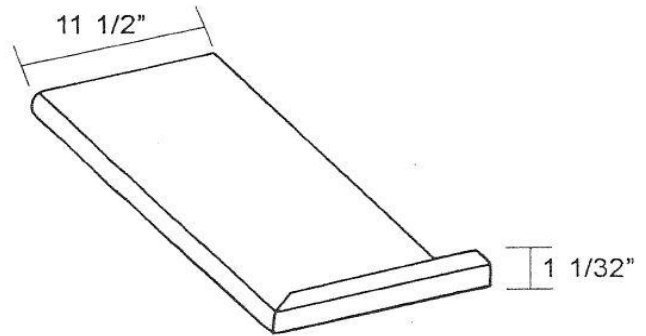
| | | | |
|------|------------------------|------|--------|
| 6010 | TRADITIONAL RAIL SOLID | lft. | \$8.00 |
| 231 | WALL HAND RAIL SOLID | lft. | \$2.00 |



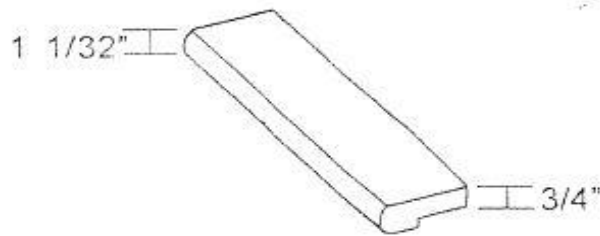
TREADS



8070 PLAIN TREAD



8070MR SINGLE MITERED
RETURN TREAD



LANDING TREAD

