



SECTION - L - INDEX

PAGE NUMBER

SECTION INDEX	L-1
MISCELLANEOUS HARDWARE	L-2
SHUTTER HARDWARE	L-2
BARN DOOR HARDWARE	L-3
HINGES	L-4 - L-5
HINGE SCREWS	L-6
JOHNSON BIFOLD & BIPASS HARDWARE	L-7 - L-8
STANLEY BIFOLD HARDWARE	L-9
POCKET DOOR LOCKS	L-10
DISCONTINUED MISC. HARDWARE	L-11 - L-13



MISCELLANEOUS HARDWARE

		CARTON	FINISH	LIST
		QUANTITY		
DOOR FASTENERS				
#1449	Drive In Adjustable Ball Catch	100	US4 Only	\$3.00
#1448	Strike Only for #1449 Ball Catch	100	3, 10R	\$1.50
		100	26D, 15A	\$1.50
#253B	8" Surface Bolt (Ives)	10	26D	\$95.00
#253B	8" Surface Bolt (Ives)	10	10B	\$95.00
Mag-Bolt-09	9" Head or Foot Bolt by Endura	100	V/B	\$10.50
Mag-Bolt-99	19" Head or Foot Bolt by Endura	50	V/B	\$15.50
#223	Bolt Keeper (strike) by Endura	100	3	\$5.90
	Bolt Keeper (strike) by Endura	100	VB	\$5.90
	Bolt Keeper (strike) by Endura	100	32D	\$8.70
#0SP	Out Swing Sill Plug W/Screws by Endura		Black	\$1.50

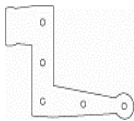
DOOR VIEWER

#DV 90	Door Viewer	24	3 & 26D	\$7.30
--------	-------------	----	---------	--------

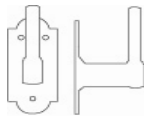
SHUTTER HARDWARE

Hardware Below is Stainless Steel Black Powder Coated

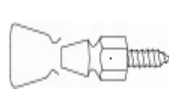
Part Number		CARTON	FINISH	LIST
		QUANTITY		
80022SH	"S" Holdback w/4" Lag Bolt	Pair	Black	\$38.00
80023SH	Acorn Holdback	Each	Stainless	\$19.00
80024SH	12" Slide Bolt	Each	Black	\$47.00
80025SH	6" L-Hinge & Pintel 1/2" Offset	Pair	Black	\$60.00
80027SH	6" L-Hinge & Pintel 2-1/4" Offset	Pair	Black	\$62.00
80035SH	Pintel Plate Shim 1/4"	Each	Black	\$4.00



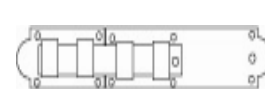
L-Hinge & Pintel



Acorn Holdback



"S" Holdback



Slide Bolt

KEY TO FINISHES

Polish Brass	3	Satin Brass	US4
Satin Chrome	26-D	Antique Nickel	US15A
Bronze	US10R/10B	Brushed Stainless	32D

PRICE SUBJECT TO CHANGE WITHOUT NOTICE



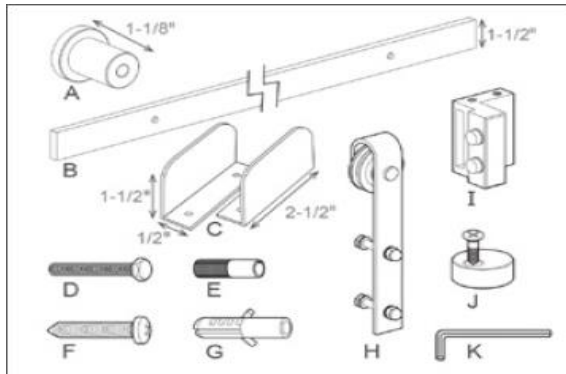
BARN DOOR TRACK & HARDWARE

BARNETT ITEM #		CARTON QUANTITY	FINISH	LIST
BDHA01K79	SLADE BARNDOOR HARDWARE KIT 72"	1 EA	BLACK	\$150.00
BDHA01K100	SLADE BARNDOOR HARDWARE KIT 96"	1 EA	BLACK	\$162.00
The kits above include 2 rollers, stoppers, screws & nuts, anti jump disc and floor guide				
BARNETT ITEM #		CARTON QUANTITY	FINISH	LIST
BDHA05K	PHILMONT BARNDOOR HARDWARE KIT	1 EA	BLACK	\$300.00
<u>KIT BELOW IS DISCONTINUED SUBJECT TO CURRENT INVENTORY</u>				
BDHA03K	WAGGONER BARNDOOR HARDWARE KIT	1 EA	BLACK	\$344.00
The kits above include 2 rollers, rail length of choice 79-3/4", 90", 100", stoppers, screws & nuts, anti jump disc, floor guide				

MISCELLANEOUS TRACK, ROLLERS, AND HARDWARE

BDHA05	PHILMONT BARNDOOR ROLLER	1 EA	BLACK	\$55.00
BDHA03	WAGGONER BARNDOOR ROLLER	1 EA	BLACK	\$77.00
BDPARTS1	BARNDOOR PARTS (SCREWS, 2 ANTIJUMP, 1 GUIDE)	1 EA	BLACK	\$28.00
BDPARTS2	BARNDOOR PARTS (2 STOPPERS AND ALLEN WRENCH)	1 EA	BLACK	\$53.00
BDRAIL78	BARNDOOR RAIL 79-3/4" WITH SCREWS	1 EA	BLACK	\$109.00
BDRAIL90	BARNDOOR RAIL 90" WITH SCREWS	1 EA	BLACK	\$109.00
BDRAIL100	BARNDOOR RAIL 100" WITH SCREWS	1 EA	BLACK	\$109.00

Included in the Kit



- A. Stand-off Bracket (x5)
- B. Rail (x1)
- C. Floor Door Guide (x1)
- D. Bolts (x5)
- E. Bolt Wall Anchor (x5)
- F. Lag Bolt (x5)
- G. Lag Bolt Wall Anchor (x5)
- H. Roller (x2)
- I. Stopper (x2)
- J. Anti Jump (x2)
- K. Allen Wrench (x1)



SLADE - BDHA01K



PHILMONT - BDHA05K



WAGGONER - BDHA03K

PAGE: L-4
4/2/18



HINGES

BULK ASEMBLED HINGES		FINISH	CARTON QUANTITY	UNIT	LIST
#RC 1542	5/8" Radius Corner Hinge		(Bulk Pack)		
4154232DB	4" x 4"	US-32D	100 EA	EA.	\$6.50
#RC 1542 RP	Rivited Pine 5/8" Radius Corner Hinge				
4154232DNRP	4" x 4"	US-32D	25 PR.	EA.	\$28.00
#RC 1841	5/8" Radius Corner Hinge				
31218412D	3 1/2" x 3 1/2"	US-2D	100 EA	EA	\$1.80
31218412CD	3 1/2" x 3 1/2"	US-2CD	100 EA	EA	\$1.80
31218413	3 1/2" x 3 1/2"	US-3	100 EA	EA	\$1.80
3121841ABA	3 1/2" x 3 1/2"	US-5	100 EA	EA	\$1.80
312184115	3 1/2" x 3 1/2"	US-15	100 EA	EA	\$1.80
312184115A	3 1/2" x 3 1/2"	US-15A	100 EA	EA	\$1.80
312184110R	3 1/2" x 3 1/2"	US-10R	100 EA	EA	\$1.80
312184126	3 1/2" x 3 1/2"	US-26	100 EA	EA	\$1.80
3121841P	3 1/2" x 3 1/2"	USP	100 EA	EA	\$1.80
31218411D	3 1/2" x 3 1/2"	US1D	100 EA	EA	\$1.80
418412D	4" x 4"	US-2D	100 EA	EA	\$2.30
418412CD	4" x 4"	US-2CD	100 EA	EA	\$2.30
418413	4" x 4"	US-3	100 EA	EA	\$2.30
41841ABA	4" x 4"	US-5	100 EA	EA	\$2.30
4184115A	4" x 4"	US-15A	100 EA	EA	\$2.30
4184110R	4" x 4"	US-10R	100 EA	EA	\$2.30
4184126	4" x 4"	US-26	100 EA	EA	\$2.30
41841P	4" x 4"	USP	100 EA	EA	\$2.30
418411D	4" X 4"	US1D	100 EA	EA	\$2.30
#RC 1846 RP	RIVITED PIN 5/8" Radius Corner Hinge				
418462D	4" x 4"	US-2D	100 EA	EA	\$2.70
418462CD	4" x 4"	US-2CD	100 EA	EA	\$2.70
418463	4" x 4"	US-3	100 EA	EA	\$2.70
41846ABA	4" x 4"	US-5	100 EA	EA	\$3.80
4184615A	4" x 4"	US-15A	100 EA	EA	\$2.70
4184610R	4" x 4"	US-10R	100 EA	EA	\$2.70
41846P	4" x 4"	USP	100 EA	EA	\$2.70
418461D	4" X 4"	US1D	100 EA	EA	\$2.70

KEY TO FINISHES

Primed	USP	Satin Nickel	US-15
Brass Tone Dichromate	US-2D	Antique Nickel	US-15A
Bright Brass	US-3	Matte Laquere Antique Bronze	US10R
Antique Brass	US-5	Bright Chrome	US26
Black	US1D	Brushed Silver	US2CD

PRICE SUBJECT TO CHANGE WITHOUT NOTICE



HINGES

BOXED HINGES	CARTON QUANTITY	FINISH	LIST
#RC BB1842 5/8 Radius Corner Residential Weight Ball Bearing Hinges			
4184210RBB 4" x 4" (Box Pack)	25 Pr.	US-10R	\$10.10
4184226DBB 4" x 4" (Box Pack)	25 Pr.	US-26D	\$10.10
#RC 1752 5/8 Radius Corner Residential Weight Spring Hinge			
4175210R 4" x 4" (Box Pack)	25 Pr.	US-10R	\$19.00
4175226D 4" x 4" (Box Pack)	25 Pr.	US-26D	\$19.00

DOUBLE ACTION HINGE (By Bommer)

1515 Jamb Hinge	DISCONTINUED	20 Pr.	US-1B	\$35.00
7802 Floor-Jamb 50 LB Max	DISCONTINUED	8 Ea.	US-4	\$71.00
780210B Floor-Jamb 50 LB Max		8 Ea.	US-10B	\$103.00
780226D Floor-Jamb 50 LB Max		8 Ea.	US-26D	\$93.00
7812 Floor-Jamb 90 LB Max		8 Ea.	US-4	\$118.00
781210B Floor-Jamb 90 LB Max		8 Ea.	US-10B	\$172.00
781226D Floor-Jamb 90 LB Max		8 Ea.	US-26D	\$156.00

SOSS INVISIBLE HINGES US-26D

21226D	For Doors with 1 1/8" Minimum Thickness	Per Ea.	\$55.00
--------	---	---------	---------

KEY TO FINISHES

Satin Chromium Plated	US-26D	Matte Laquere Antique Bronze	US-10R
Black	US-1B	Satin Brass	US-4
Oil Rubbed Bronze	US10-B		

PRICE SUBJECT TO CHANGE WITHOUT NOTICE

PAGE: L- 6
4/2/18



HINGE SCREWS

ITEMS	FINISH	UNIT	LIST
Fly Cut #9 x 3/4" Hinge Screws only (SPECIFY COLOR)			
#2617	3 1/2" Hinge Screws	Box of 600 Ea.	\$23.00
#2817	4" Hinge Screws	Box of 800 Ea.	\$30.00
#1-800-1070	4" Hinge Screws US-32D	Box of 400 Ea.	\$117.00

PRICE SUBJECT TO CHANGE WITHOUT NOTICE



BI-FOLD & BI-PASS TRACK & HARDWARE SETS

By L. E. Johnson

			CARTON QUANTITY	LIST
<u>BY-PASS TRACK & HARDWARE SETS (By L.E. Johnson)</u>				
Series #1138	48"	For use with 1 3/8" Doors Up to 50 Lbs	5	\$18.00
	60"	"	5	\$21.00
	72"	"	5	\$24.00
<u>HEAVY DUTY BI-PASS TRACK & HARDWARE SETS (By L.E. Johnson)</u>				
Series #138	72"	For use with 1 3/8" Doors Up to 125 Lbs	1	\$73.00
<u>BI-FOLD TRACK & HARDWARE SETS (By L.E. Johnson)</u>				
Series #1825	36"		2 Dr	\$15.00
	48"		4 Dr	\$25.00
	60"		4 Dr	\$26.00
	72"		4 Dr	\$27.00
<u>HEAVY DUTY BI-FOLD TRACK & HARDWARE SETS (By L.E. Johnson)</u>				
Series #111FD	36"		2 Dr	\$33.00
	72"		4 Dr	\$52.00
<u>BY-PASS TRACK & HARDWARE PARTS</u>				
#2138	Nylon Guide			\$1.00
#30	2-1/8" Cup Pull US-15 Finish (ONLY)			\$1.60
#2238	Offset Hanger W/Screw			\$1.00

PRICE SUBJECT TO CHANGE WITHOUT NOTICE

PAGE: L-8
10/1/18



DISCONTINUED
SUBJECT TO CURRENT INVENTORY

BI-FOLD & BI-PASS MISCELLANEOUS HARDWARE

By L. E. Johnson

			LIST
<u>BI-FOLD TRACK & HARDWARE PARTS</u>			
#1825	Track Only W/Bracket		
	24"		\$3.00
	30"		\$4.00
	32"		\$4.00
	36" 2-Door		\$4.00
	36" 4-Door		\$6.00
	48"		\$6.00
	60"		\$7.00
	72"		\$8.00
#18313824	Hardware Pkg. (For 2-Dr. Set Up)	(Pivots NOT Included)	\$1.00
#18313868	Hardware Pkg. (For 4-Dr. St Up)	(Pivots NOT Included)	\$2.00
#18313823	Hardware Pkg. (For 2-Dr. Boxed)	(Pivots NOT Included)	\$2.00
#18313867	Hardware Pkg. (For 4-Dr. Boxed)	(Pivots NOT Included)	\$4.00
#1831	Top Pivot W/Guide		\$0.70
#1837	Bottom Pivot		\$0.90
#1808	Door Aligner		\$0.60
#1812	2-Door Snubber for Track		\$0.30
#1814	4-Door Snubber for Track		\$0.30
#1811LS	Jamb Bracket Only		\$1.10
#1823	Hinge W/Screws		\$1.20
#318380	Jamb Bracket Screws 5/8" Pan Head		\$0.10
#37	White Knob W/Screws		\$0.40
<u>BY-PASS TRACK & HARDWARE PARTS</u>			
#1138	Track Only W/Screws		
	48"		\$10.00
	60"		\$12.00
	72"		\$14.00

PRICE SUBJECT TO CHANGE WITHOUT NOTICE



STANLEY BI-FOLD HARDWARE SETS

		CARTON	
		QUANTITY	LIST
BI-FOLD TRACK & HARDWARE SETS			
Kit includes Track, Snugger, Top Pivot, Guide wheel, Bottom Pivot, Hinges, Knob, and Jamb bracket			
BF30-00-72	72"	4 Dr	\$9.50

The track can be cut down by customer to any length needed.

THE STANLEY HARDWARE IS USED ON ALL MOULDED SKIN DOORS

PRICE SUBJECT TO CHANGE WITHOUT NOTICE



ROUND POCKET DOOR LOCKS

By Kwikset

ROUND POCKET LOCKS with 2 1/8" Face Bore & 2 3/8" Bqckset		CASE QUANTITY	NUMBER	FINISH	LIST
Satin Chrome	PASSAGE	12	334	US-26D	\$35.00
	PRIVACY	12	335	US-26D	\$38.00
Oild Rubbed Bronze	PASSAGE	12	334	US-10B	\$35.00
	PRIVACY	12	335	US-10B	\$38.00

POCKET DOOR LOCKS

*ALL POCKET DOOR LOCKS BELOW
ARE
SUBJECT TO CURRENT INVENTORY*

Polished Brass	PASSAGE	10	SDL-17	3	\$8.40
	PRIVACY	10	SDL-16	3	\$11.20
Satin Chrome	PASSAGE	10	SDL-17	26D	\$9.50
	PRIVACY	10	SDL-16	26D	\$12.40
Antique Nickel	PASSAGE	10	SDL-17	15A	\$10.90
	PRIVACY	10	SDL-16	15A	\$15.50
Satin Nickel	PASSAGE	10	SDL-17	15	\$10.90
	PRIVACY	10	SDL-16	15	\$15.50

PRICE SUBJECT TO CHANGE WITHOUT NOTICE



Discontinued Hardware
Subject to Barnett Current Inventory



MISCELLANEOUS HARDWARE

*DISCONTINUED
SUBJECT TO CURRENT INVENTORY*

		CARTON QUANTITY	FINISH	LIST
<u>DOOR STOPS</u>				
#212	Hinge Pin	100	3, 15A, 15	\$1.25
#211	Spring Type	100	3, 15A, 15	\$0.50
<u>DOOR FASTENERS</u>				
#MB 85 R	6" Flush Bolt	10	3	\$4.70
#MB 85 R	6" Flush Bolt	10	26D	\$5.70
#MB 85 R	6" Flush Bolt	10	10B	\$7.00
#SB 876	6" Brass Surface Bolt	20	3	\$4.50
<u>STAIR HARDWARE</u>				
#6601	Hand Rail Bracket	300	3	\$1.80
		300	10R & 15	\$2.35
<u>1795 Adjustable Closet Rods</u>				
#011926	30" To 48"	10	ZP	\$4.60
#011930	48" To 72"	10	ZP	\$6.50
#011931	72" To 96"	10	ZP	\$8.50
#1797	Shelf & Rod Support	40	W	\$2.30

KEY TO FINISHES

Polish Brass	3					
Satin Chrome	26-D	Bright Zinc	BZ	White	W	Antique Nickel 15A

PRICE SUBJECT TO CHANGE WITHOUT NOTICE



MISCELLANEOUS HARDWARE

DISCONTINUED
SUBJECT TO CURRENT INVENTORY

		CARTON QUANTITY	FINISH	LIST
<u>DOOR CLOSURES</u>				
#420 P	55-100 Lbs. W/Arm Bracket	10	DB	\$23.00
#430 P	88-143 Lbs. W/Arm Bracket	10	DB	\$30.80
#405	Parallel Arm Bracket	10	DB	\$1.90
<u>CABINET HARDWARE</u>				
#BK 14	Ball Knob	20	3	\$4.70
<u>SOLID BRASS DOOR HARDWARE</u>				
Push Plate	#PSPL 3515 3-1/2" x 15"	Bulk	SB	\$14.20
Pull W/Plate	#PULP 3515 3-1/2" x 15"	Bulk	SB	\$29.20
Kick Plate	4" x 30"	Bulk	SB	\$23.70
	4" x 34"	Bulk	SB	\$26.80
	6" x 30"	Bulk	SB	\$35.50
	6" x 34"	Bulk	SB	\$42.90
	8" x 30"	Bulk	SB	\$48.00
	8" x 34"	Bulk	SB	\$54.40

NOTE: (A) 30" plates are for 2'8" doors.
 (B) 34" plates are for 3'0" doors.
 (C) We do not recommend the use of solid brass items on steel doors.
 (D) These items are polished solid brass with a lacquer coat and they
 WILL TARNISH.

KEY TO FINISHES

Solid Brass SB
 Dark Bronze DB

PRICE SUBJECT TO CHANGE WITHOUT NOTICE